

GYF Foot Stay

Swing door opening

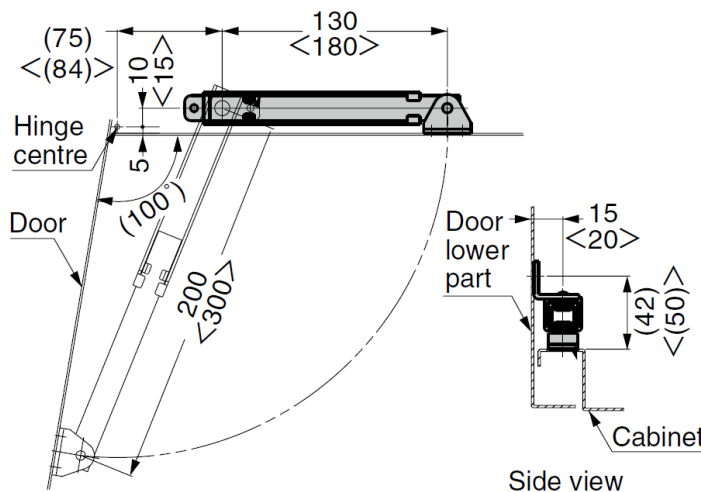
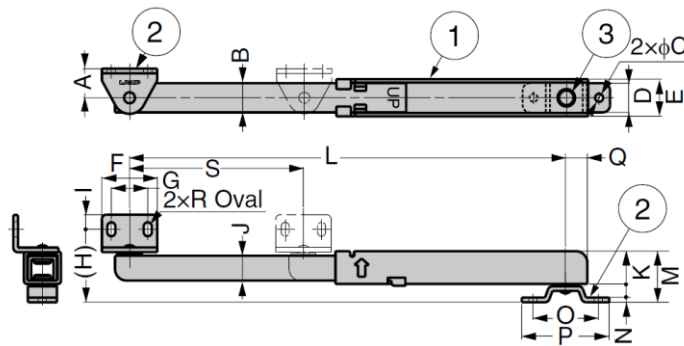
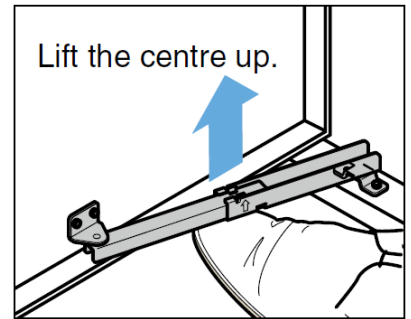
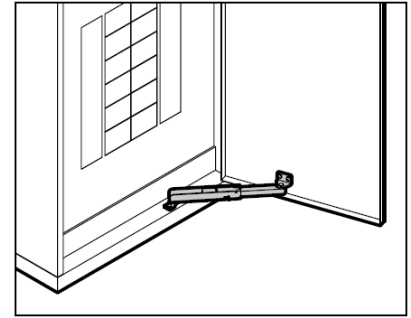
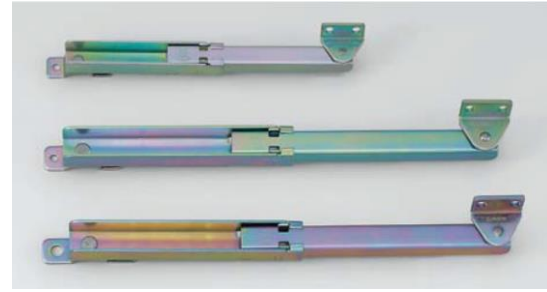
Opening Direction	Item Name	Description	Lock Release Part	Tension Force	Compression Load
 Swing Door	GYF-200	Locks When Fully Opened	Body (Lifting with Foot)	882 N/pc (90 kgf/pc)	490 N/pc (50 kgf/pc)
	GYF-300			1470 N/pc (150 kgf/pc)	588 N/pc (60 kgf/pc)

Features

- Automatically locks door when fully opened
- Simply lift the stay with foot toe to release the lock
- Non-handed: Can be installed on left or right side
- Designed for bottom mount. (vertical use not allowed)
- Components to install to aluminium frame also available, contact Gripwell for assistance

Notes

- Release the lock while supporting the door
- Do not step on the stay
- Opening angle and installation position changes depending on hinge position



No.	Part Name	Material	Finish
①	Body	Steel (SPCC)	Coloured Zinc
②	Bracket	Steel (SPCC)	Chromate (Trivalent)
③	Shaft	Stainless Steel (SUS304)	-

Drawing shows the state where the stay is installed to the door bottom, seeing the door from above

※ Dimensions in < > is for GYF-300 and GYF-300-T50

Part No.	Tension Force (per piece)		Compression Load (per piece)	
GYF-200	882 N	90 kg	490 N	50 kg
GYF-300	1470 N	150 kg	588 N	60 kg
GYF-300-T50				